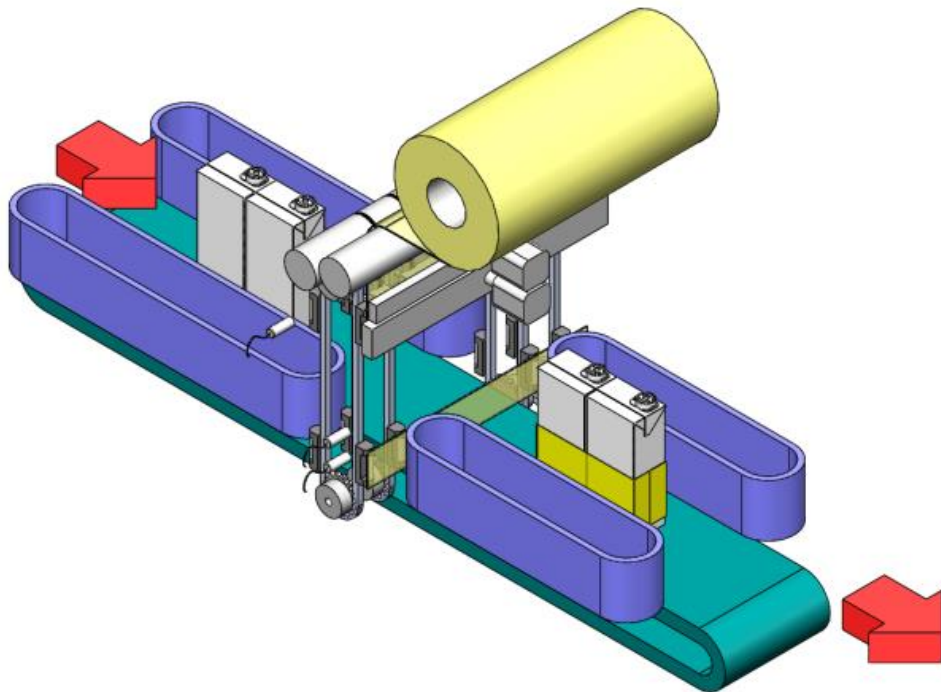


# MULTIPACK – THE ADVANTAGES OF THE BUNDLING WITH EASY OPENING



The range of machines **MULTIPACK** is designed to **bundling by adhesive strips packages**, bricks, tubs, paper bags or plastic, soft or stiff.

The number, the dimensions and the quality of the adhesive strips are adapted to the nature of the handled products. The adhesive strip can be printed (in order to carry a message, a bar code...) in purposes of promotion or information.

Machines **MULTIPACK** are a big versatility and an unequalled reliability thanks to its patented mechanism. Studies ergonomics & compact, simple and secured, easy access for loading in consumables and for maintenance operations.

## PATENTED SYSTEM



- **Use printed or transparent adhesive reels.**

- **Big capacity in consumables**

Reels of adhesives printed widthwise for a big autonomy of strip.



- **Easy opening of the bundling**

Creation of breaking points on the strip for an easy unbundling

- **Position and width of adjustable strips**

Adaptable according to the facing product.

- **Multi-sizes**

Automatic tuning for the various sizes.

- **Big speed**

Real speed up to 100 bundling/min.

- **Consumption in reduced energy**

Electric consumption : 1,2kW

- **Design in stainless steel**

Transparent polycarbonate protections.